

ShedSafe® INSTALLATION INSTRUCTIONS

PATENT No. GB2393478

GENERAL

- Refer to Assembly drawing ~ ensure correct unit for door width
- Parts checklist
 - Pt. no. 1 - inner plate x1
 - Pt. no. 2 - pivot plate x1
 - Pt.no. 3 - female tube assembly x1
 - Pt. no. 4 - male assembly x1
 - Pt. no. 5 - lock bracket x1
 - Pt. no. 6 - locating clip x1
 - M6 Coach Bolt x 100mm lg x3
 - *M6 Coach Bolts x 75mm lg x2 (option if frame size dictates)*
 - M6 Full Nuts x 4
 - M6 Plain Washers x3
 - Rubber caps for bolt threads x 3
 - No. 6 Self Tapping Screw x $\frac{1}{2}$ " lg. x1
 - No. 8 Woodscrews x $\frac{3}{4}$ " lg. x 3
 - Assembly drawing x1
 - Hole template x1
 - Padlock x1 **(OPTIONAL PURCHASE)**
- It is recommended to install the Shedsafe® in addition to existing hasp/staple as an additional deterrent.
- When installing, ensure that the horizontal position will allow the Shedsafe® to pivot fully away from door opening into the vertical position (it is recommended to allow Shedsafe® to pivot downwards rather than to be raised as a safety precaution) - adequate ground clearance is required. It is recommended that the Shedsafe® is mounted approximately 1.2 metres to 1.3 metres above ground level to ensure comfortable operation.
- Tools required:
 - Spirit Level.
 - Electric drill with 7.00 mm drill bit.
 - Cross Head Screwdriver.
 - Flat head Screwdriver.
 - 2 off adjustable (or open end/ring) Spanner to suit 10mm A/F (M6 Nuts).
- Basic DIY skills are required to undertake installation.

INSTALLATION PROCEDURE

1. Mark horizontal line across doorway opening at a position as recommended above, marking door frame at both sides - this line is the centre of lock bracket.
2. Mark and drill 3 off holes 7.0 mm Dia. through hinge side shed frame (**ENSURE EXTERNAL MOUNTING PLATE IS FLUSH WITH FRAME EDGE ADJACENT TO DOOR ~ a small amount of timber may be required to be removed to aid positioning**) - either by measurement or using enclosed template (make good holes with weatherproofing timber treatment or seal holes with a suitable mastic, if required; not supplied). Ensure holes are positioned centrally on frame structure. **ENSURE HOLES ARE STRAIGHT AND PERPENDICULAR TO FRAME EDGE ~ A PILOT HOLE MAY AID ACCURACY.**

ShedSafe ® INSTALLATION INSTRUCTIONS

PATENT No. GB2393478

3. Offer into position, to 2 off previously drilled 7.00 mm Dia. lower holes, pt. no. 1 (inner plate) to inside of frame and pt. no. 2 (pivot plate) to outside of frame (pivot mounting hub facing outwards) using 2 off M6 Coach Bolts x 100mm lg. to secure. Fit each bolt with 1 off Plain Washer and 1 off full nut and hand tighten only.
4. On the lock side door frame, offer into position pt. no. 5 (lock bracket), ensuring horizontal centre of bracket is aligned with previously marked horizontal line and with tab facing outwards. Secure to door frame using 3 off No. 8 woodscrews.
5. Assemble pt. no. 3 and 4 together (pt. no. 4 will slide into pt. no. 3) and loosely fit self tapping screw through lower bar - offer assembled unit to doorway, positioning with M6 x 100 lg Coach Pivot Bolt (through pivot plate [pt. no. 2] and shed frame) and slipping slot over tab of lock bracket (pt. no. 5) to set length of assembly. Shedsafe® length can be adjusted in the horizontal plane to accommodate variations in door width.
6. Remove assembly, maintain set length and tighten self tapping screw fully.
7. Reposition assembly to doorway, refit Coach Bolt through pivot plate and, from the inside of the shed, secure pivot Coach Bolt using 1x plain washer and 2 x full nuts.
8. Fully tighten previously installed 2x Coach bolts/nuts. Tighten pivot Coach bolt sufficiently so that lateral movement through pivot is minimal (without impeding the downward pivoting action) using the 2x full nuts as locknuts. Cut off excess stud and/or cap with rubber caps.
9. Ensure that Shedsafe® is free to pivot and will slip into lock bracket tab easily - if either is problematical minor adjustments to tightness of pivot bolt will resolve.
10. Fit padlock through hole in lock bracket tab as a conventional hasp/staple.
11. It is recommended that to prevent Shedsafe®, when positioned in the vertical position (access to shed required), from swinging about pivot point, to fix clip, pt. no. 6, to hinge side of door frame at low level.

MAINTENANCE

The unit is maintenance free with only occasional touch up painting and checking of pivot bolt tightness required.

WARRANTY

The unit is guaranteed for one (1) year from purchase.

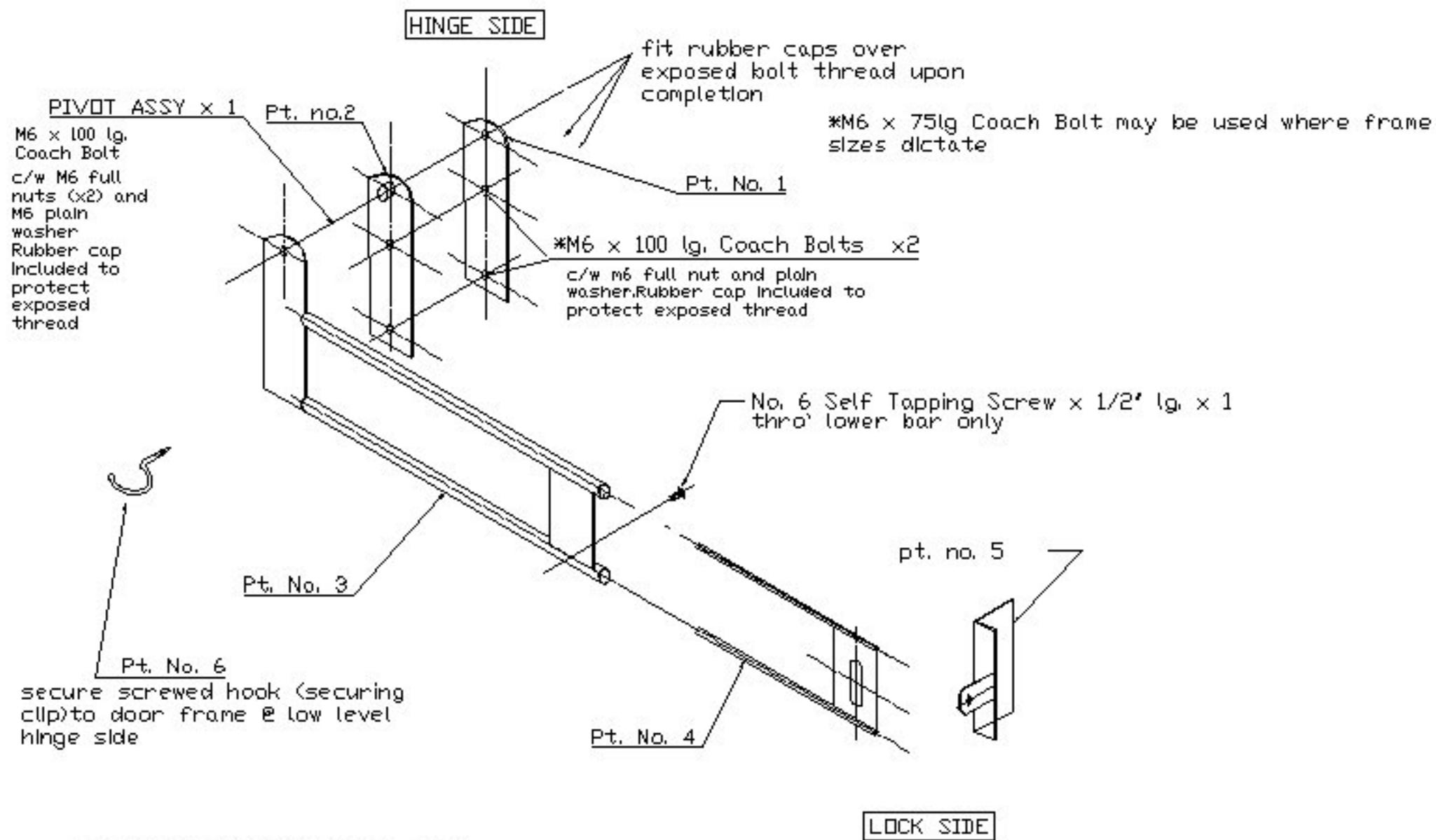
Further information is available on our website www.shedsafe.co.uk or contact us at info@shedsafe.co.uk

SAFETY :

UPON INSTALLATION, ENSURE THAT WHEN OPERATING THE SHEDSAFE ®, IT IS NOT LEFT TO FREEFALL INTO THE VERTICAL POSITION ~ THE SHEDSAFE MAY "SWING" AS A RESULT OF THE PIVOT ARRANGEMENT. PLACE SHEDSAFE INTO VERTICAL POSITION BY HAND ENSURING THAT IT IS LOCATED INTO CLIP (PT. NO. 6).

PLEASE NOTE:

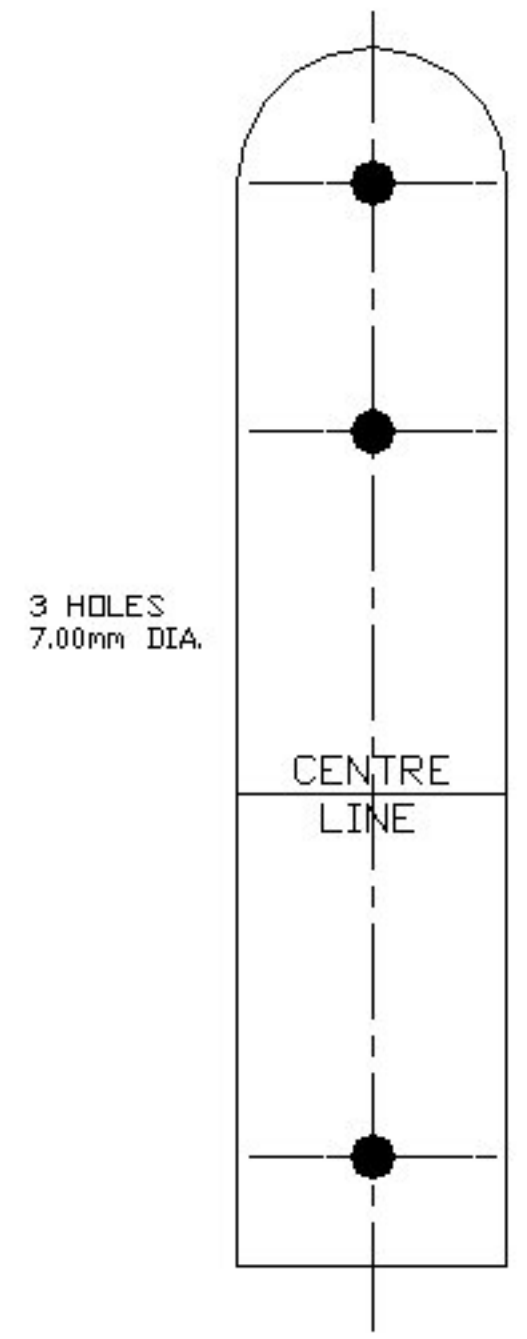
Tojaro Industries Ltd. will not accept any liability for loss or damage arising from incidents this security product is designed to help prevent.



Coach Bolts, nuts, washers & self tapping screw - BZP
Woodscrew - Japanned

INSTALLATION DRAWING

This drawing is the property of Tojuro Industries Ltd. and shall not be disclosed to third parties without prior consent



HOLE TEMPLATE